


Sundance® Spas 880 Vistamar™

Specifications

Dimensions:	84" x 84" x 37" (213.36 cm x 213.36 cm x 93.98 cm)	
Seating Capacity:	5-6 Adults	
Dry Weight:	874 lbs (396 kg)	
Filled Weight (Spa Volume):	4,585 lbs (2,080 kg)	
Filled Weight (Average Fill):	3,626 lbs (1,645 kg)	
Water Capacity (Spa Volume):	445 US Gal (1,685 Liter)	
Water Capacity (Average Fill):	330 US Gal (1,249 Liter)	
Controls:	880 iTouch Interface LCD Control, Displays Temperature, Time, Cycles and Jet/Air System Control. Offers Customizing of Filtration Cycles, Lighting, Water Temperature Setting and other features	
Water Delivery:	2 TheraMax High-Flow Pumps and 8-Hour Dynamic Flow Circulation System	
Pump 1:	North America (60 Hz): 1-Speed/2.5 HP Continuous, 11.3A Max., 56 Frame Export (50 Hz): 1-Speed/2.0 HP Continuous, 7.0A Max.	
Pump 2:	North America (60 Hz): 1-Speed/2.5 HP Continuous, 11.3A Max., 56 Frame Export (50 Hz): 1-Speed/2.0 HP Continuous, 7.0A Max.	
Pump 3:	High Output Dynamic Flow, 24-Hour programmable, factory default set to 8-Hour Filter/Circulation Pump (35 gpm) Programmable for Daily Start Time and Duration	
Total Hydrojets:	41	
Seat A Jets:	2 Vortex, 2 Fluidix PT, 2 Accu-Pressure	
Seat B Jets:	1 Fluidix Reflex	
Seat C Jets:	2 Fluidix Nex, 12 Fluidix ST, 2 Focus Relief, 2 Accu-Pressure	
Seat D Jet:	1 Fluidix Reflex	
Seat E Jets:	2 Fluidix Nex, 6 Fluidix Reflex, 2 Accu-Pressure	
Seat F Jets:	2 Fluidix Intelli-Jet, 1 Fluidix PT, 2 Accu-Pressure	
Air Blower:	High-Efficiency, 1-Speed	
Aromatherapy Delivery:	10 Air Injector Jets with Quiet High Speed Air Pump	
Air Controls/Massage Selectors:	5/1 (Standard air control and massage selector LED lights)	
Filter:	MicroClean® Ultra II Filtration System, 130 ft² (2 interlocking cartridge filters)	
Water Treatment:	Dynamic Flow Circulation System; Factory installed CLEARARRAY Active Oxygen™ Water System	
Lighting:	Multi-Colored SunGlow LED Lighting System (1 Waterfall, 1 Underwater, 5 Air controls, 1 Massage Selector, 1 Backlit handrail, Exterior lights)	
Skirt Cabinet (SunSide™):	Windy Oak, Ironwood and Flint Gray	
Shell Colors:	North America (60 Hz): Platinum, Celestite (Gypsum), Monaco, Midnight, Porcelain Export (50 Hz): All North America Colors	
Handrails:	One High Quality Stainless Steel with a backlit LED light	
ComforTone Headrests:	Four, 1-Piece Gray	
Heater:	North America (60 Hz): Hi Flow 5.5 kW with Titanium Element Export (50 Hz): Hi Flow 2.7 kW with Titanium Element	
Electrical Requirements:	North America (60 Hz): 240 VAC@40A, 50A or 60A; Export (50 Hz): 230-240 VAC@1x32A or 1x16A/1x20A, 3x16A (see manual for more configurations); or Suitably Rated Circuit Breaker to Comply with Local Electrical Regulations. Certain Countries may Require 2 Power Inputs; Two GFCI/RCD Breakers are Required for This Configuration.	
Limited Warranty*:	North America (60 Hz): 10 Years Shell, 7 Years Shell Surface, 5 Years Plumbing Component Leaks, 5 Years Equipment and Controls, 5 Years Cabinet, 5 Years Jets, 2 Years Lights, 1 Year Stereo Export (50 Hz): 10 Years Shell, 7 Years Shell Surface, 5 Years Plumbing Component Leaks, 5 Years Equipment and Controls, 5 Years Cabinet, 5 Years Jets, 2 Years Lights, 2 Years Stereo	
Waterfall Feature:	Adjustable Flow Rate; Colored Lighting	
Audio System (Optional):	Factory Installed BLUEWAVE® 2.0 Wireless Spa Stereo System with Auxiliary 3.5 mm headphone jack connection, Bluetooth® compatible, 2 premium speakers and a powered subwoofer	
Special Features:	MicroClean® Plus Versatile Filter Lid, Optional (Factory Installed) SmartTub® Module, Optional Inductive Charger	

*(See Warranty Document for Specific Details)

Dimensions/Specifications Subject To Change Without Notice

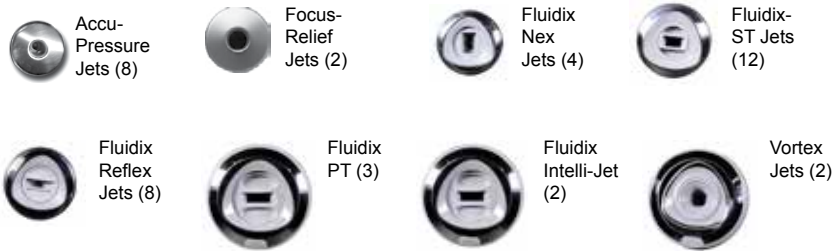
Sundance Spas 880 Vistamar

Operation/Seat Depths



- (A)** Air Control - Activates Seat A Jets (2 Vortex, 2 Fluidix PT, 2 Accu-Pressure)
- (B)** Sunscents Dispenser
- (C)** Massage Selector [Pump 2] - Adjusts Massage Level Between Seat A Jets + 2 Accu-Pressure + Seat B Jet and Seat C Jets + 2 Accu-Pressure + Seat D Jet
- (D)** Air Control - Activates Lower Eight Seat C Jets (6 Fluidix ST, 2 Accu-Pressure)
- (E)** Air Control - Activates Upper Eight Seat C Jets (2 Fluidix Nex, 6 Fluidix ST)
- (F)** Waterfall Selector [8-Hour Circ. Pump] - Controls Waterfall Output
- (G)** Air Control - Activates Seat E Jets (2 Fluidix Nex, 6 Fluidix ST, 2 Accu-Pressure)
- (H)** Air Control - Activates Seat F Jets (3 Fluidix Intelli-Jet, 2 Accu-Pressure)

41 Total Jets



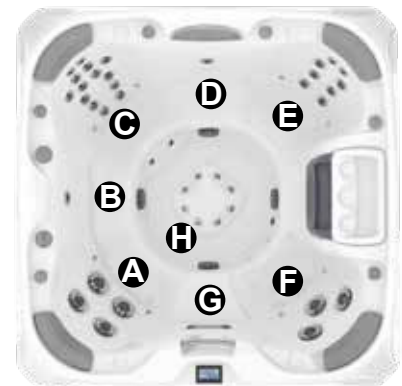
- Jets Pump 1: Seat E Jets, 2 Accu-Pressure + Seat F Jets, 2 Accu-Pressure are always on when this pump is running.
- Focus-Relief Jets: Work with both the blower and Jets Pump 1 (Seat E + Seat F) and Jets Pump 2 (Seat A + Seat C). The blower introduces air to the jet and the Jets Pump forces water through.

Spa Operation Subject To Change Without Notice

SEAT DEPTHS

A = 26.00" (66.04 cm)	E = 26.00" (66.04 cm)
B = 21.25" (53.98 cm)	F = 28.00" (71.12 cm)
C = 28.00" (71.12 cm)	G = 17.00" (43.18 cm)
D = 18.50" (46.99 cm)	H = 32.50" (82.55 cm)

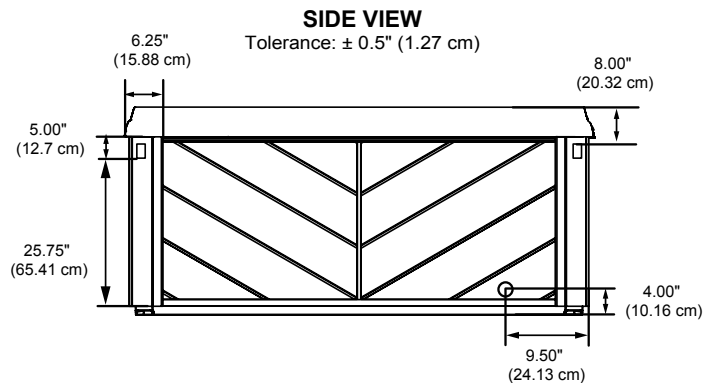
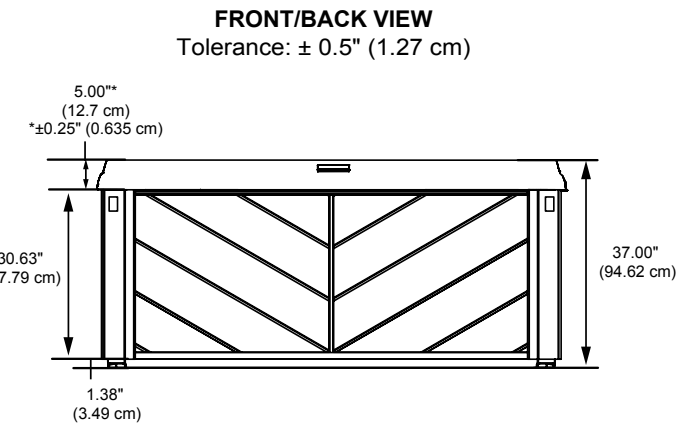
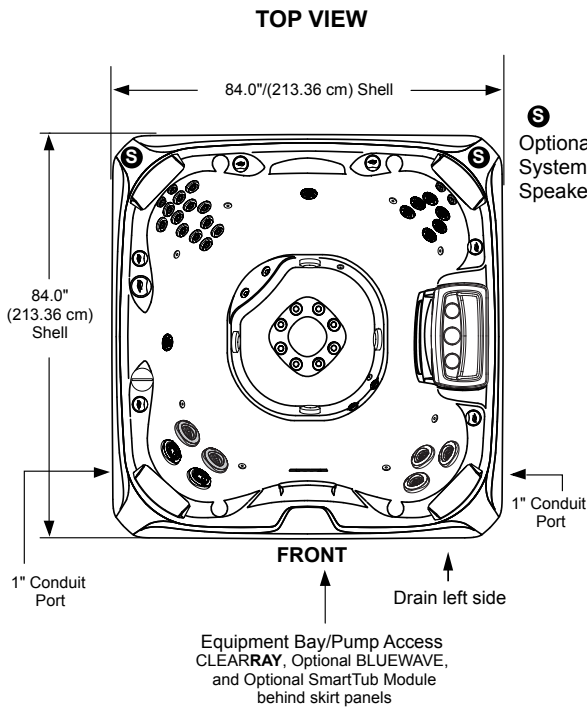
Listed dimensions represent distance from top of acrylic to lowest point in seat. **Tolerance ± 0.5" (1.27 cm).**



Dimensions/Specifications Subject To Change Without Notice

Sundance Spas 880 Vistamar

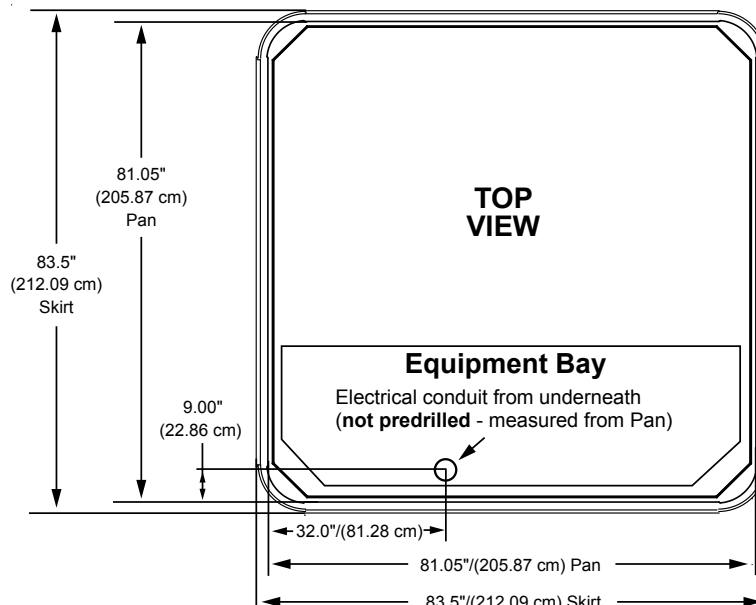
Portable Dimensions



NOTE: Over time the panel(s) may bow, this is considered normal. The panels will straighten out when reinstalled into the mounting channel. Place one end of the panel into the channel first then flatten the panel and insert the other end.




IMPORTANT! Always measure each hot tub for exact dimensions BEFORE designing its foundational support and/or decking.

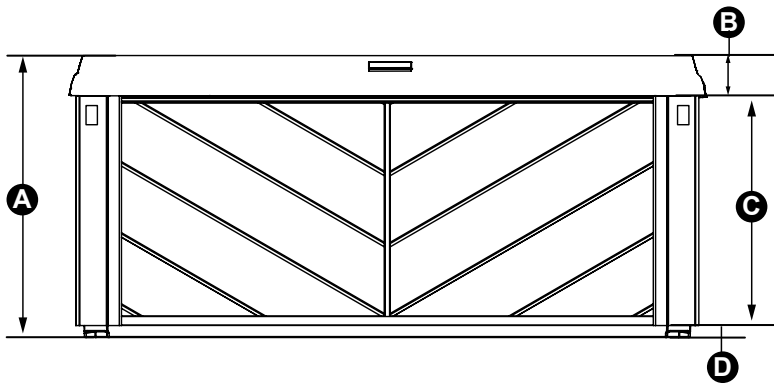


Dimensions/specifications subject to change without notice. Tolerance: $\pm 0.5"$ (1.27 cm)

Dimensions/Specifications Subject To Change Without Notice

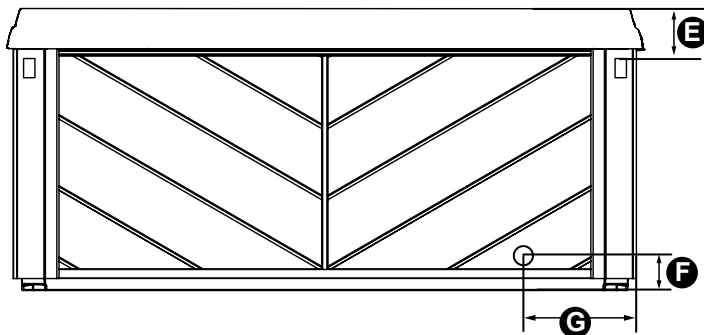
SunSide Dimensions

Spa Models	DIMENSIONS A-F (All measurements are an approximate)					
	A	B* *±0.25" (0.635 cm)	C	D	E	F
Aspen	40.0" (101.60 cm)	TBD	TBD	TBD	TBD	4.0" (10.16 cm)
Optima	37.0" (93.98 cm)	5.0" (12.7 cm)	30.63" (77.79 cm)	1.38" (3.49 cm)	8.0" (20.32 cm)	
Cameo						
Altamar						
Vistamar						
Marin	34.0" (86.36 cm)	27.75" (70.49 cm)	1.63" (4.13 cm)	7.0" (17.38 cm)		
Capri	30.5" (77.47 cm)	24.25" (61.60 cm)				
DIMENSIONS G-I (All measurements are an approximate)						
	G	 <p>IMPORTANT! Always measure each hot tub for exact dimensions BEFORE designing its foundation support and/or decking.</p>				
Aspen	9.5" (24.13 cm)					
Optima						
Cameo						
Altamar						
Vistamar						
Marin						
Capri	10.0" (25.4 cm)					
- Dimensions Subject to Change Without Notice - Tolerance: ± 0.5" (1.27 cm)						



An 18" clearance, all around the spa, is recommended. This clearance is needed for panel removal or when servicing.

NOTE: Over time the panel(s) may bow, this is considered normal. The panels will straighten out when reinstalled into the mounting channel. Place one end of the panel into the channel first then flatten the panel and insert the other end.



Tolerance: ± 0.5" (1.27 cm)

Dimensions/Specifications Subject To Change Without Notice

Denne modellen kan kobles med 1-fas 230V C-sikring (treg) og 3-fas (400 volt TN-nett - se egne linjer)

880-serien:

For å få mest mulig glede av badet anbefaler vi høyeste kurs for optimal drift.			
	Alternativ tilkobling	Funksjon	Kretskortinnstillinger
Vistamar	3-fas (400 volt TN-nett) 25 amp	Varmeelement og pumper kan brukes samtidig	Se brukermanual.
Vistamar	40 amp eller 20 + 25 amp	Varmeelement og pumper kan brukes samtidig	Se brukermanual.
Vistamar	25 amp	Alle pumper kan brukes samtidig. Varmeelementet slår seg automatisk av når pumpene startes.	Se brukermanual.
Vistamar	3-fas (400 volt TN-nett) 16 amp	Varmeelement og pumper kan brukes samtidig	Se brukermanual.
Vistamar	32 amp eller 16 + 20 amp	Varmeelement og pumper kan brukes samtidig	Se brukermanual.
Vistamar	20 amp	Alle pumper kan brukes samtidig. Varmeelementet slår seg automatisk av når en av pumpene startes.	Se brukermanual.