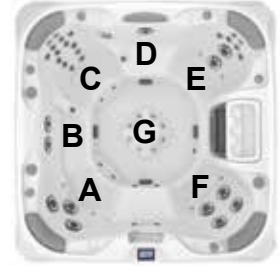


Sundance® Spas 880 Optima®

Specifications



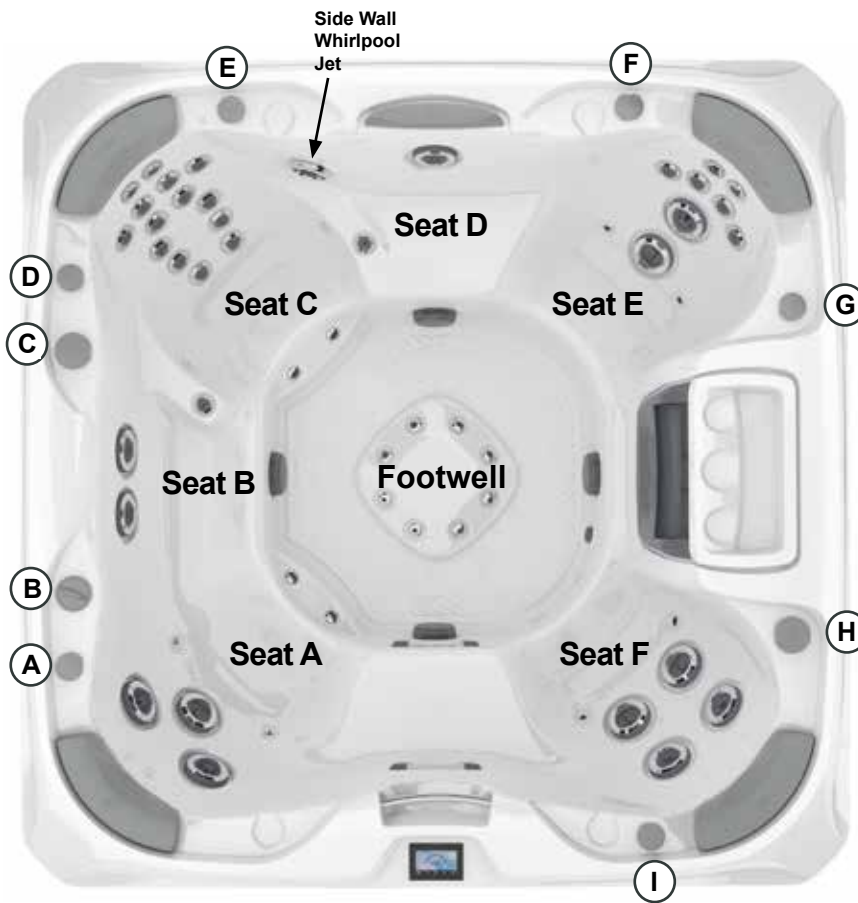
Dimensions:	89" x 89" x 37" (226 cm x 226 cm x 93.98 cm)
Seating Capacity:	6-7 Adults
Dry Weight:	944 lbs (428 kg)
Filled Weight (Spa Volume):	4,906 lbs (2,225 kg)
Filled Weight (Average Fill):	3,905 lbs (1,771 kg)
Water Capacity (Spa Volume):	475 US Gal (1,798 Liters)
Water Capacity (Average Fill):	355 US Gal (1,344 Liters)
Controls:	880 iTouch Interface LCD Control, Displays Temperature, Time, Cycles and Jet/Air System Control. Offers Customizing of Filtration Cycles, Lighting, Water Temperature Setting and other features
Water Delivery:	2 TheraMax High-Flow Pumps and 8-Hour Dynamic Flow Circulation System
Pump 1:	North America (60 Hz): 1-Speed/2.5 HP Continuous, 11.3A Max., 56 Frame Export (50 Hz): 1-Speed/2.0 HP Continuous, 7.0A Max.
Pump 2:	North America (60 Hz): 1-Speed/2.5 HP Continuous, 11.3A Max., 56 Frame Export (50 Hz): 1-Speed/2.0 HP Continuous, 7.0A Max.
Pump 3:	High Output Dynamic Flow, 24-Hour programmable, factory default set to 8-Hour Filter/ Circulation Pump (35 gpm); Programmable for Daily Start Time and Duration
Total Hydrojets:	49
Seat A Jets:	2 Fluidix Intelli-Jet, 1 Fluidix PT, 2 Focus Relief
Seat B Jets:	2 Vortex
Seat C Jets:	12 Fluidix ST, 4 Fluidix Nex, 1 Whirlpool (sidewall), 4 Focus Relief
Rear Wall Jet (D):	1 Vortex
Seat E Jets:	1 Fluidix Intelli-Jet, 1 Fluidix PT, 2 Fluidix Nex, 4 Fluidix ST
Seat F Jets:	2 Vortex, 2 Fluidix PT
Footwell Jets (G):	8 Accu-Pressure
Air Blower:	High-Efficiency, 1-Speed
Aromatherapy Delivery:	8 Air Injector Jets with Quiet High Speed Air Pump
Air Controls/Massage Selectors:	5/2 (Standard air control with LED lights and massage selector with LED lights)
Filter:	MicroClean® Ultra II Filtration System, 130 ft² (2 interlocking cartridge filters)
Water Treatment:	Dynamic Flow Circulation System; Factory installed CLEARARRAY Active Oxygen™ Clear Water System
Lighting:	Multi-Colored Sunglow LED Lighting System (1 Waterfall, 2 Underwater, 5 Air controls, 2 Massage Selectors, 1 Backlit handrail, Exterior lights)
Skirt Cabinet (SunSide™):	Windy Oak, Ironwood and Flint Gray
Shell Colors:	North America(60 Hz): Platinum, Celestite (Gypsum), Monaco, Midnight, Porcelain Export (50 Hz): All North America Colors
Handrails:	One High Quality Stainless Steel with backlit LED lighting
ComfortTone Headrests:	Four, 1-Piece Gray
Heater:	North America (60 Hz): Hi Flow 5.5 kW with Titanium Element Export (50 Hz): Hi Flow 2.7 kW with Titanium Element
Electrical Requirements:	North America (60 Hz): 240 VAC@40A, 50A or 60A; Export (50 Hz): 230-240 VAC@1x32A or 1x16A/1x20A, 3x16A (see manual for more configurations); or Suitably Rated Circuit Breaker to Comply with Local Electrical Regulations. Certain Countries may Require 2 Power Inputs; Two GFCI/RCD Breakers are Required for This Configuration.
Limited Warranty*:	North America (60 Hz): 10 Years Shell, 7 Years Shell Surface, 5 Years Plumbing Component Leaks, 5 Years Equipment and Controls, 5 Years Synthetic Cabinet, 5 Years Jets, 2 Years Lights, 1 Year Stereo Export (50 Hz): 10 Years Shell, 7 Years Shell Surface, 5 Years Plumbing Component Leaks, 5 Years Equipment and Controls, 5 Years Synthetic Cabinet, 5 Years Jets, 2 Years Lights, 2 Years Stereo
Waterfall Feature:	Adjustable Flow Rate; Colored Lighting
Audio System (Optional):	Factory Installed BLUEWAVE® 2.0 Wireless Spa Stereo System with Auxiliary 3.5 mm headphone jack connection, Bluetooth® compatible, 2 premium speakers and a powered subwoofer
Special Features:	MicroClean® Plus Versatile Filter Lid, Optional (Factory Installed) SmartTub® Module, Optional Inductive Charger

*(See Warranty Document for Specific Details)

Dimensions/Specifications Subject To Change Without Notice

Sundance Spas 880 Optima

Operation/Seat Depths



- (A)** Air Control - Activates Seat A Jets (2 Fluidix Intelli-Jet, 1 Fluidix PT, 2 Accu-Pressure)
- (B)** Sunscents Dispenser
- (C)** Massage Selector [Pump 2] - Adjusts Massage Level Between Seat B Jets + Seat D Jet and Seat C Jets + 2 Footwell Jets
- (D)** Air Control - Activates Seat B Jets (2 Vortex) + Seat D Jet (1 Vortex) + Lower Six Seat C (2 Fluidix Nex, 4 Fluidix-ST) + 2 Footwell Jets (Accu-Pressure)
- (E)** Air Control - Activates Upper Ten Seat C Jets (8 Fluidix-ST, 2 Fluidix Nex)
- (F)** Waterfall Selector [8-Hour Circ. Pump] - Controls Waterfall Output
- (G)** Air Control - Activates Seat E Jets (2 Fluidix Nex, 4 Fluidix-ST, 1 Fluidix Intelli-Jet, Fluidix PT) + Seat F Jets (4 Vortex) + 2 Footwell Jets (Accu-Pressure)
- (H)** Massage Selector [Pump 1] - Adjusts Massage Level Between Seat A Jets + Seat F Jets + 4 Footwell Jets and Seat E Jets + Side Wall Whirlpool + 2 Footwell Jets
- (I)** Air Control - Activates Seat F (2 Vortex, 2 Fluidix PT) + Footwell Jets (2 Accu-Pressure)

49 Total Jets



- Jets Pump 2: The 2 Fluidix Nex Wrist Jets in the Seat C are always on when this pump is running

Spa Operation Subject To Change Without Notice

SEAT DEPTHS

A = 26.00" (66.04 cm)
B = 21.25" (53.98 cm)
C = 28.00" (71.12 cm)
D = 18.50" (46.99 cm)
E = 26.00" (66.04 cm)
F = 26.00" (66.04 cm)

G = 17.00" (43.18 cm)
H = 32.50" (82.55 cm)

Listed dimensions represent distance from top of acrylic to lowest point in seat. **Tolerance ± 0.5" (1.27 cm).**

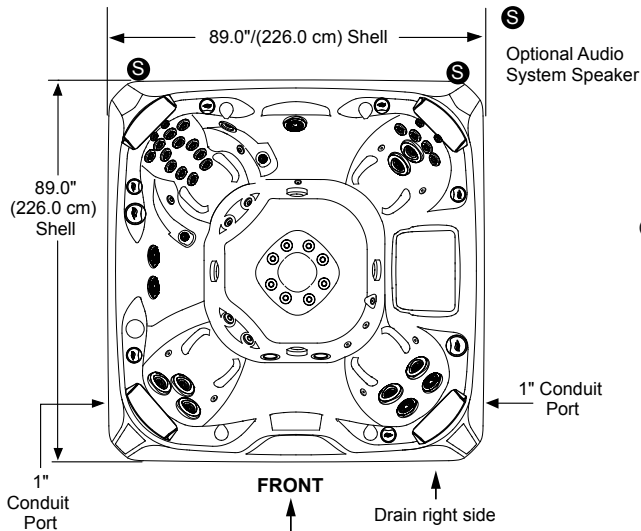


Dimensions/Specifications Subject To Change Without Notice

Sundance Spas 880 Optima

Portable Dimensions

TOP VIEW

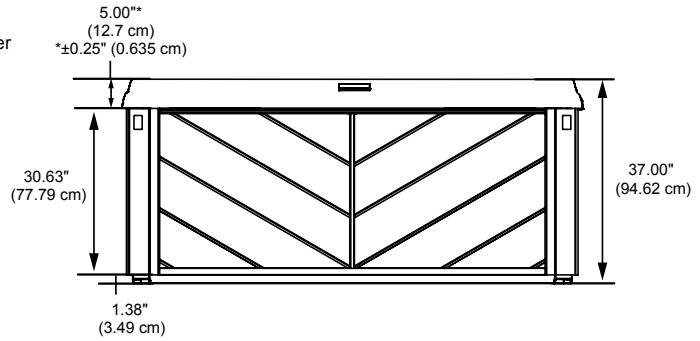


Equipment Bay/Pump Access behind skirt panels (CLEARRAY, Optional BLUEWAVE, and Optional SmartTub Module behind skirt panels)

NOTE: Over time the panel(s) may bow, this is considered normal. The panels will straighten out when reinstalled into the mounting channel. Place one end of the panel into the channel first then flatten the panel and insert the other end.

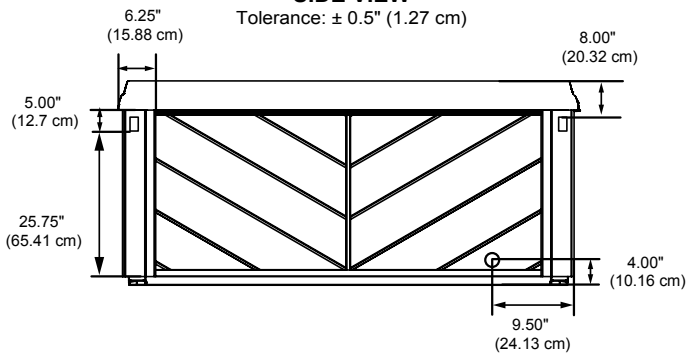
FRONT/BACK VIEW

Tolerance: $\pm 0.5"$ (1.27 cm)

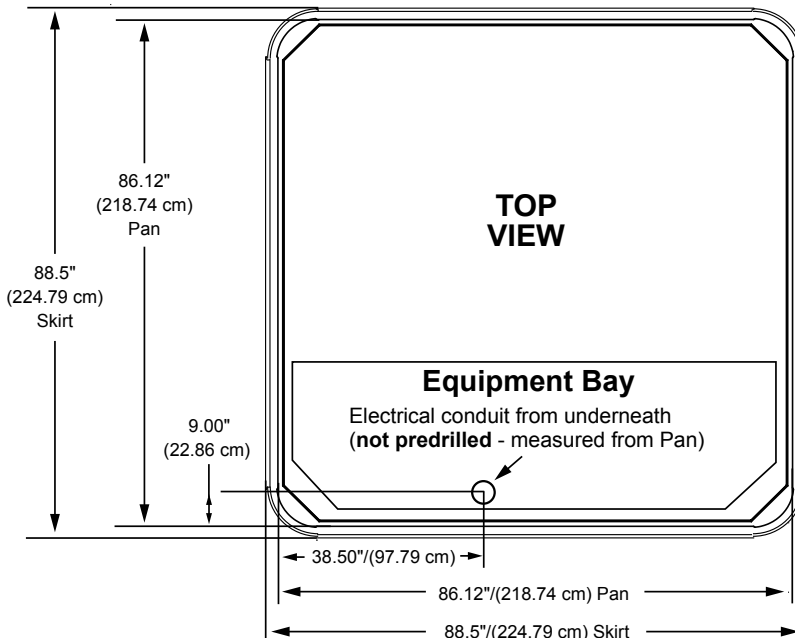


SIDE VIEW

Tolerance: $\pm 0.5"$ (1.27 cm)



IMPORTANT! Always measure each hot tub for exact dimensions BEFORE designing its foundational support and/or decking.



Dimensions/specifications subject to change without notice. Tolerance: $\pm 0.5"$ (1.27 cm)

Dimensions/Specifications Subject To Change Without Notice