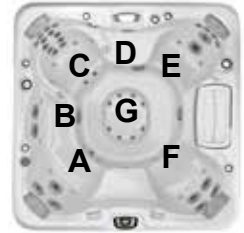


Sundance Spas 880 Optima®

Specifications



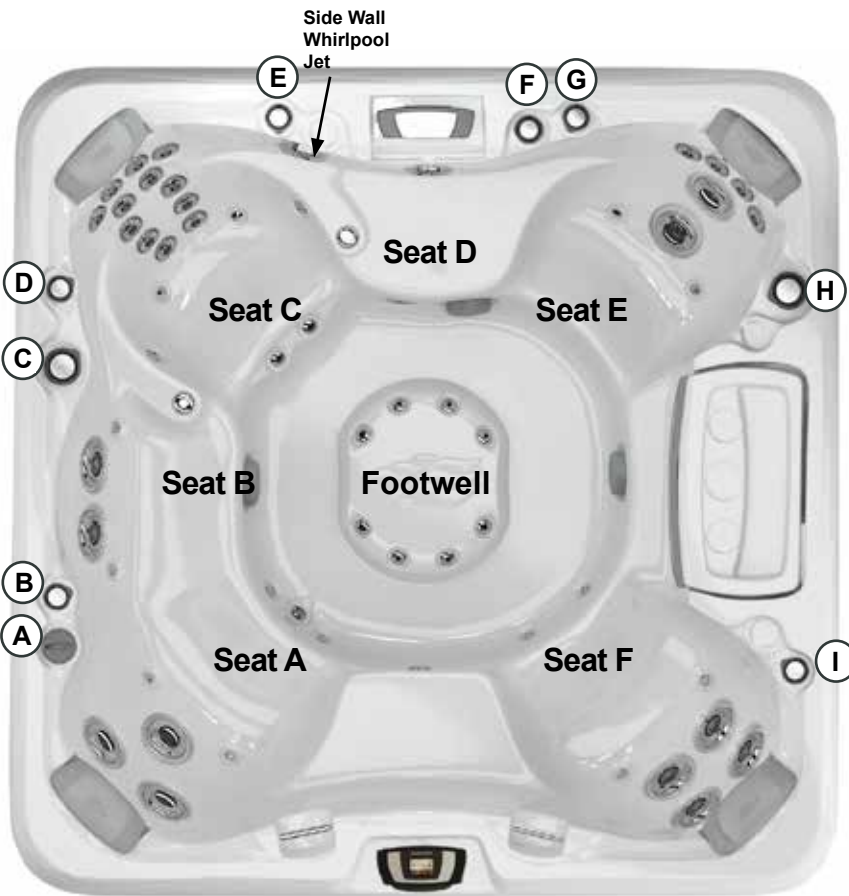
Dimensions:	89" x 89" x 37.5" (226 cm x 226 cm x 95.25 cm)
Seating Capacity:	6-7 Adults
Dry Weight:	924 lbs (419 kg)
Filled Weight (Spa Volume):	5,344 lbs (2,424 kg)
Filled Weight (Average Fill):	4,343 lbs (1,970 kg)
Water Capacity (Spa Volume):	530 US Gal (2,006 Liters)
Water Capacity (Average Fill):	410 US Gal (1,552 Liters)
Controls:	880 iTouch Interface LCD Control, Displays Temperature, Time, Cycles and Jet/Air System Control. Offers Customizing of Filtration Cycles, Lighting, Water Temperature Setting and other features
Water Delivery:	2 TheraMax High-Flow Pumps and 8-Hour Dynamic Flow Circulation System
Pump 1:	North America (60 Hz): 1-Speed/2.5 HP Continuous, 11.3A Max., 56 Frame Export (50 Hz): 1-Speed/2.0 HP Continuous, 7.0A Max.
Pump 2:	North America (60 Hz): 1-Speed/2.5 HP Continuous, 11.3A Max., 56 Frame Export (50 Hz): 1-Speed/2.0 HP Continuous, 7.0A Max.
Pump 3:	High Output Dynamic Flow, 8-Hour Filter/Circulation Pump (35 gpm); Programmable for Daily Start Time and Duration
Total Hydrojets:	47
Seat A Jets:	3 Fluidix Intelli-Jet
Seat B Jets:	2 Vortex
Seat C Jets:	12 Fluidix ST, 2 Fluidix Nex, 1 Whirlpool (sidewall), 4 Accu-Pressure, 2 Pulsator
Rear Wall Jet (D):	1 Vortex
Seat E Jets:	2 Fluidix Intelli-Jet, 2 Fluidix Nex, 4 Fluidix ST
Seat F Jets:	4 Vortex
Footwell Jets (G):	8 Accu-Pressure
Air Blower:	High-Efficiency, 1-Speed
Aromatherapy Delivery:	14 Air Injector Jets with Quiet High Speed Air Pump
Air Controls/Massage Selectors:	5/2 (Standard air control with LED lights and massage selector with LED lights)
Filter:	MicroClean® Ultra Filtration System, 130 ft² (2 interlocking cartridge filters)
Water Treatment:	Automatic Brominator and Dynamic Flow Circulation System; Factory installed CLEARARRAY® Water Purification System
Lighting:	Multi-Colored Sunglow LED Lighting System (1 Waterfall, 1 Footwell, 5 Air controls, 2 Massage Selectors, 2 Backlit handrails)
Skirt Cabinet:	Standard SunStrong® - Available in Coastal, Mahogany, Autumn Walnut and White Oak Premium SunSide™ - Available in Modern Hardwood, Brushed Gray and Vintage Oak (Equipped with Standard Exterior Lights)
Shell Colors:	North America(60 Hz): Platinum, Celestite (Gypsum), Sahara, Oyster (Opal), Copper Sand, Monaco, Midnight, Caribbean Surf, Sandstone, Porcelain Export (50 Hz): All North America Colors
Handrails:	Two High Quality Stainless Steel with backlit LED lighting
ComfortTone Headrests:	Four, 1-Piece Gray
Heater:	North America (60 Hz): Low Flow 5.5 kW with Titanium Element Export (50 Hz): Low Flow 2.7 kW with Titanium Element
Electrical Requirements:	North America (60 Hz): 240 VAC@40A, 50A or 60A; Export (50 Hz): 230-240 VAC@1x432A or 1x16A/1x32A, 1x20A/1x16A, 3x16A (see manual for more configurations); or Suitably Rated Circuit Breaker to Comply with Local Electrical Regulations. Certain Countries may Require 2 Power Inputs; Two GFCI/RCD Breakers are Required for This Configuration.
Limited Warranty*:	North America (60 Hz): 10 Years Shell, 7 Years Shell Surface, 5 Years Plumbing Component Leaks, 5 Years Equipment and Controls, 5 Years Synthetic Cabinet, 5 Years Jets, 2 Years Lights, 1 Year Stereo Export (50 Hz): 10 Years Shell, 7 Years Shell Surface, 5 Years Plumbing Component Leaks, 5 Years Equipment and Controls, 5 Years Synthetic Cabinet, 5 Years Jets, 2 Years Lights, 2 Years Stereo
Waterfall Feature:	Adjustable Flow Rate; Colored Lighting
Audio System (Optional):	Factory Installed BLUEWAVE® 2.0 Wireless Spa Stereo System with Auxiliary 3.5 mm headphone jack connection, Bluetooth® compatible, 4 premium speakers and a powered subwoofer
Special Features:	MicroClean® Plus Versatile Filter Lid, Optional Filter Lid Pillow seat, Optional (Factory Installed) SmartTub™ Module - North American only

*(See Warranty Document for Specific Details)

Dimensions/Specifications Subject To Change Without Notice

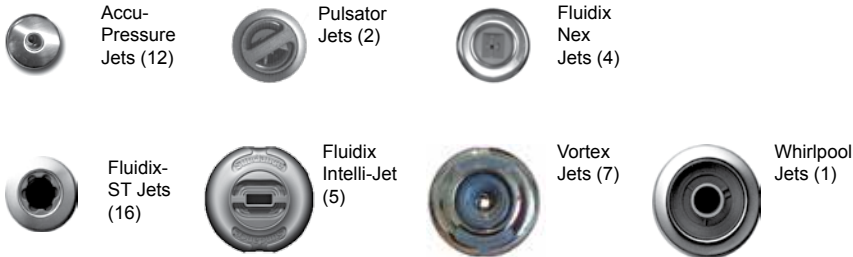
Sundance Spas 880 Optima

Operation/Seat Depths



- (A)** Sunscent Dispenser
- (B)** Air Control - Activates Seat A Jets (3 Fluidix Intelli-Jet) + Seat B Jets (2 Vortex) + Side Wall Whirlpool Jet
- (C)** Massage Selector [Pump 2] - Adjusts Massage Level Between Seat C Jets (except 4 Accu-Pressure) and Footwell Jets + Rear Wall Jet
- (D)** Air Control - Activates Upper Eight Seat C Jets (2 Fluidix Nex, 6 Fluidix-ST)
- (E)** Air Control - Activates Lower Twelve Seat C Jets (6 Fluidix-ST, 4 Accu-Pressure, 2 Pulsators)
- (F)** Waterfall Selector [8-Hour Circ. Pump] - Controls Waterfall Output
- (G)** Air Control - Activates Seat E Jets (2 Fluidix Nex, 4 Fluidix-ST, 2 Fluidix Intelli-Jet) + Seat F Jets (4 Vortex)
- (H)** Massage Selector [Pump 1] - Adjusts Massage Level Between Seat A Jets + Side Wall Whirlpool and Seat E Jets + Seat F Jets
- (I)** Air Control - Activates Seat D Rear Wall Jet (1 Vortex) + Footwell Jets (8 Accu-Pressure)

47 Total Jets



- Jets Pump 1: Seat B Jets are always on when this pump is running
- Jets Pump 2: The 4 Accu-Pressure Jets in the Seat C are always on when this pump is running

Spa Operation Subject To Change Without Notice

SEAT DEPTHS

A = 25.00" (63.50 cm)
B = 22.00" (55.88 cm)
C = 28.00" (71.12 cm)
D = 25.00" (63.50 cm)
E = 26.00" (66.04 cm)
F = 25.00" (63.50 cm)

G = 17.00" (43.18 cm)
H = 32.00" (81.28 cm)

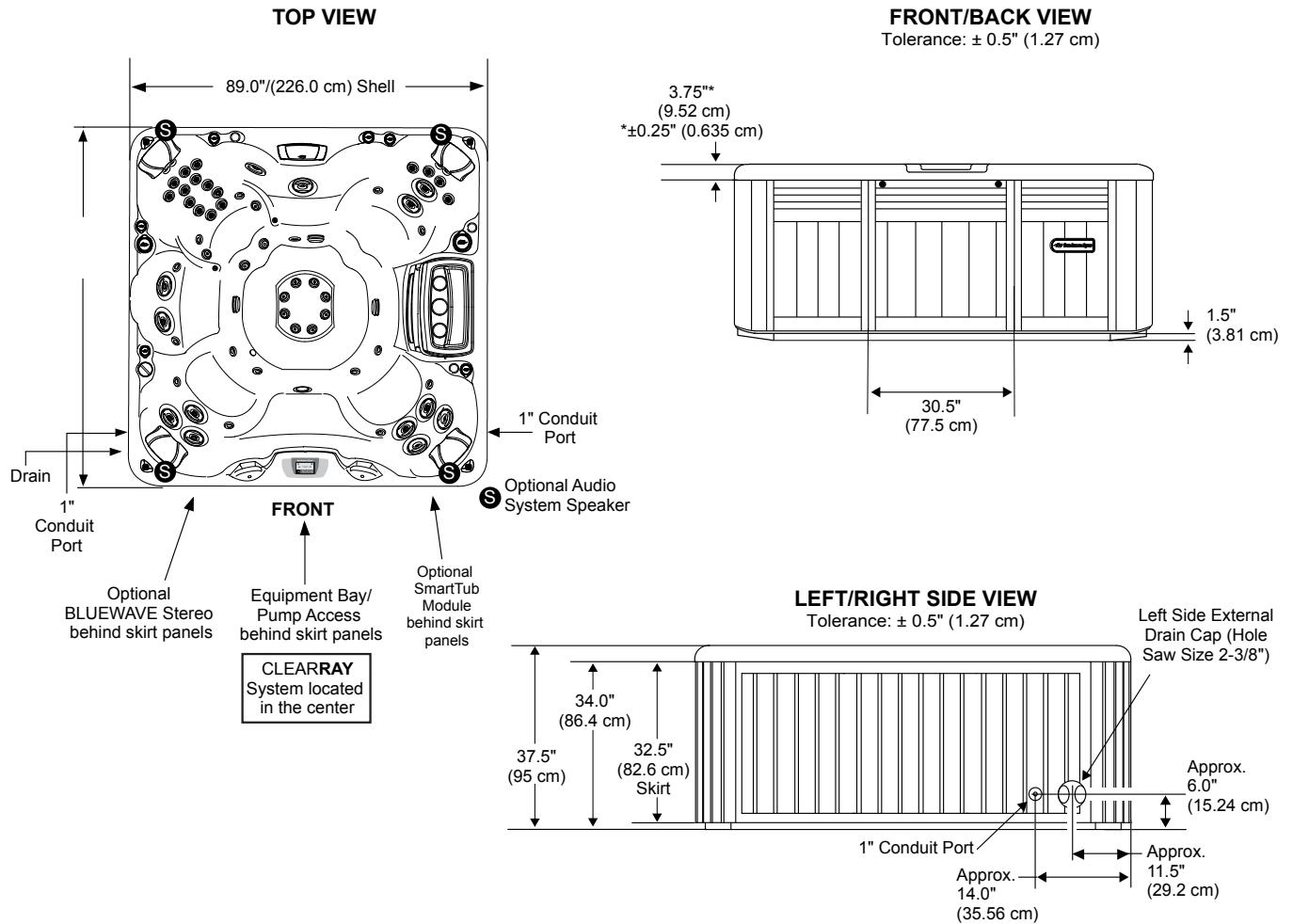
Listed dimensions represent distance from top of acrylic to lowest point in seat. **Tolerance ± 0.5" (1.27 cm).**



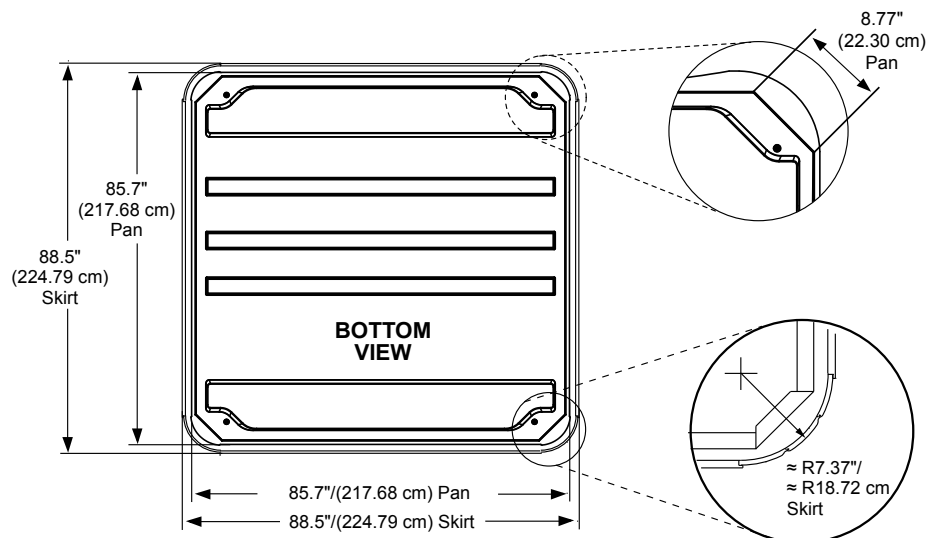
Dimensions/Specifications Subject To Change Without Notice

Sundance Spas 880 Optima

Portable Dimensions



IMPORTANT! Always measure each hot tub for exact dimensions BEFORE designing its foundational support and/or decking.



Dimensions/specifications subject to change without notice. Tolerance: $\pm 0.5"$ (1.27 cm)

Dimensions/Specifications Subject To Change Without Notice